

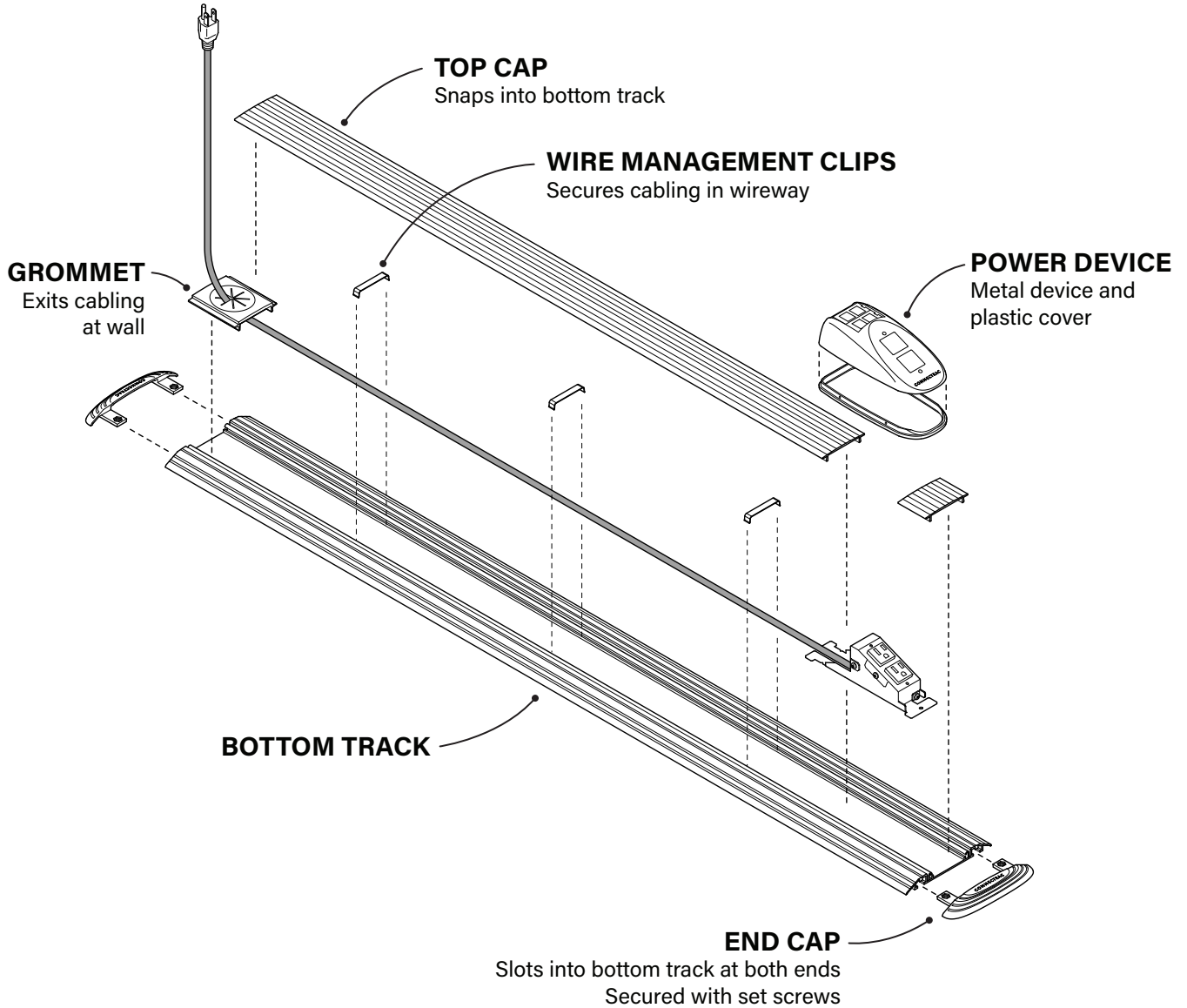
# INSTALLATION GUIDE

Instructions to install GO Wireway on top of any flooring surface



# COMPONENTS

Typical for each GO Wireway installation



*Not recommended for high-traffic areas.*

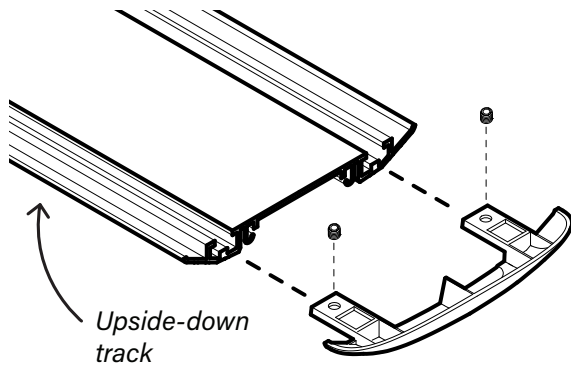
**QUESTIONS? CALL US AT 877.480.5637**

**Overview Video available at:**  
<https://vimeo.com/250336330>

# INSTALLATION BASICS - 6' GO WIREWAY

## ATTACH END CAPS

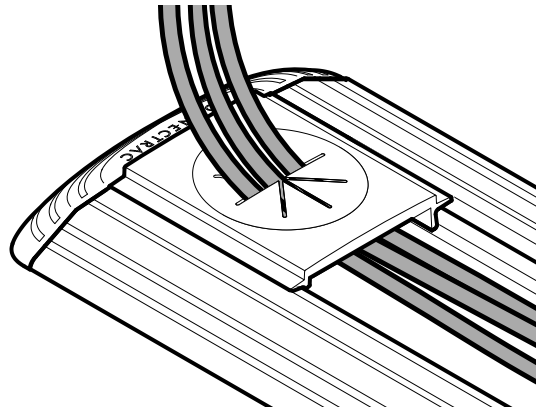
Flip the track and tighten the set screws.



You can use double-sided or friction tape, or fasten the track to the floor depending on your application.

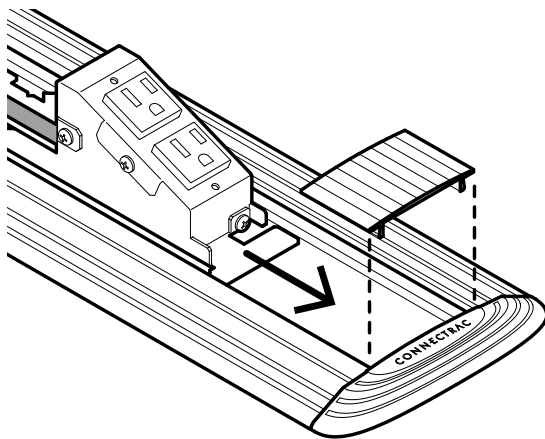
## PASS CABLING THROUGH GROMMET

Then snap the grommet into the track at the wall.



## MOUNT POWER DEVICE

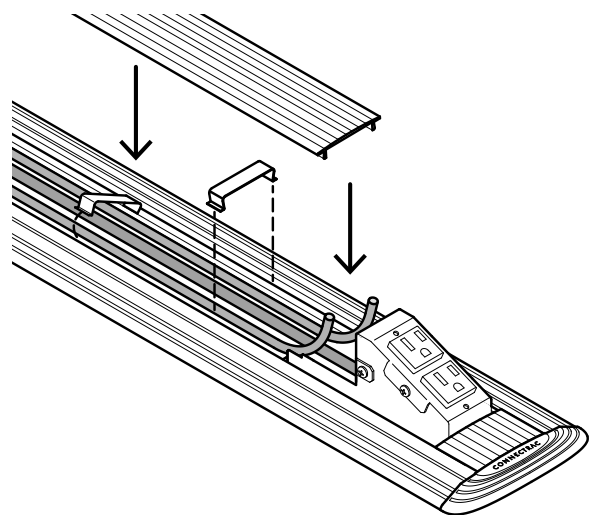
Install the small piece of top cap at the end of the track, then slide the device under it.



Mount the device with included double-sided tape.

## INSTALL TOP CAP

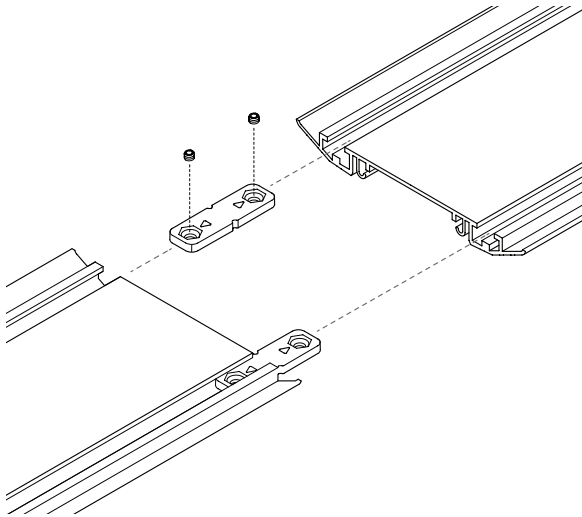
Manage cabling with included metal clips, then install the longer piece of top cap.



# INSTALLATION BASICS - 12' GO WIREWAY

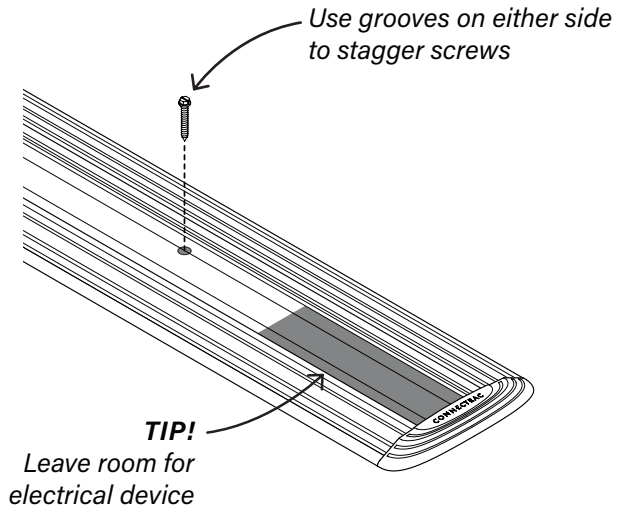
## USE INCLUDED COUPLERS

Insert as shown, then tighten set screws.  
These help align the bottom tracks.



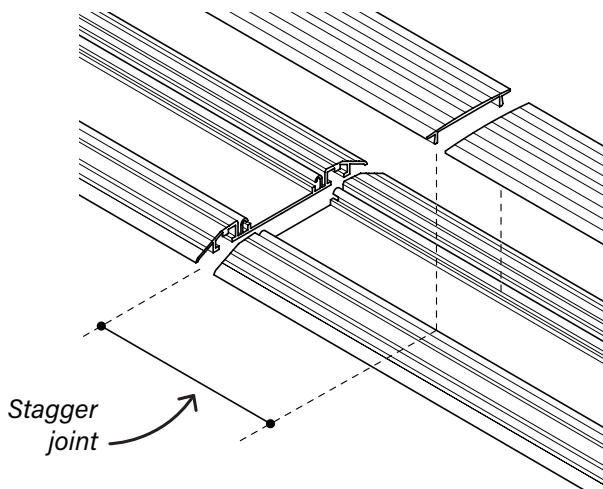
## FASTEN IT DOWN

This is necessary when combining tracks.



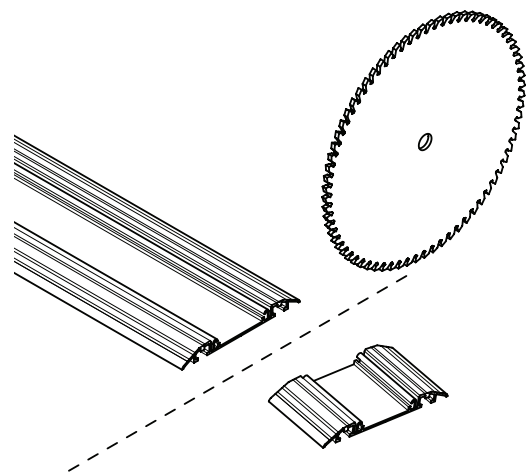
## STAGGER BOTTOM TRACK AND TOP CAP

Offset the bottom track joint from the top cap joint.  
This helps strengthen the assembly.



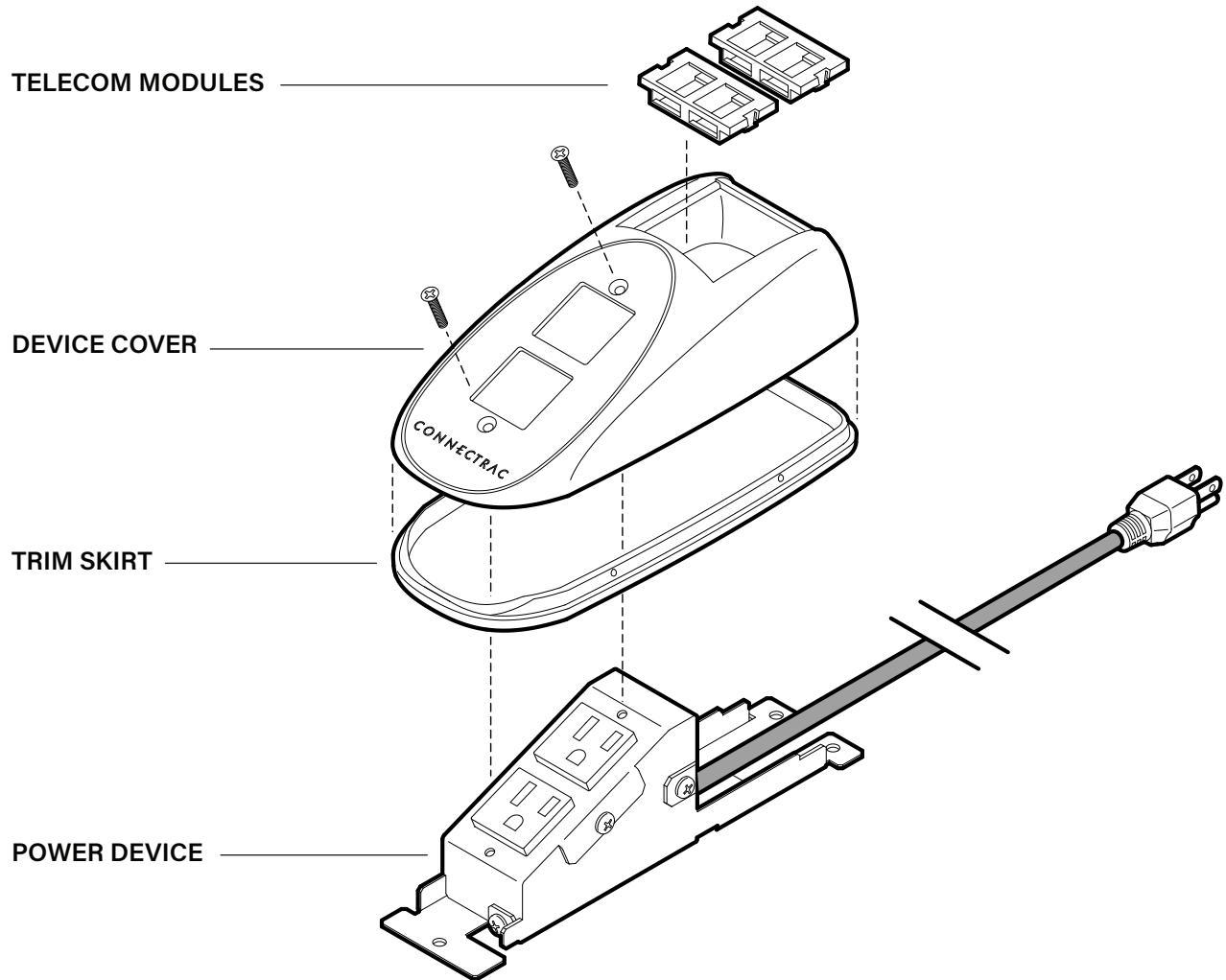
## CAN BE TRIMMED TO LENGTH

The wireway can be trimmed  
if you need a different length.



# INSTALL THE COVER

Terminate any data cabling in the included modules, or leave open to pass cabling through.  
Snap the trim skirt into the bottom of the device cover - attach the plastic cover to the device,  
**THEN GO!**



## DEVICE INFORMATION

NAME:	Connectrac GO Duplex Receptacle
DESCRIPTION:	The GO power receptacle is a pre-wired outlet device. The wiring system contains a 3-wire / single-circuit system, and the metal housing contains (2) NEMA 5-15R receptacles. It includes a plastic cover which incorporates a modular telecom opening capable of mounting (4) keystone connectors.
ELECTRICAL LISTING:	<p><b>US:</b> This device has been tested to UL Subject 962A standards and listed by ETL / Intertek. The device is identified with the ETL Listed Mark.</p> <p><b>Canada:</b> This device has been tested to CAN/CSA 22.2 #21 and is listed by ETL / Intertek. The device is identified with the cETL Listed Mark.</p>